

MAXIM 3

autolock espagnolette operating handle

Maxim is a modern stylish espagnolette handle of proven quality and reliability.

Featuring a firm ergonomic designed grip, Maxim has a distinctive scallop feature, with the button recessed providing a positive location for ease of operation and added safety.

Incorporating a positive stop (offset), the handle locks automatically on closing, yet may be simply released by depressing the button. The handle may be deadlocked for extra security.

Designed for the operation of espagnolette and shootbolt mechanisms, Maxim is available in two designs, offset and in-line in a range of alternative finishes in gold, white, black and chrome.



Technical Information

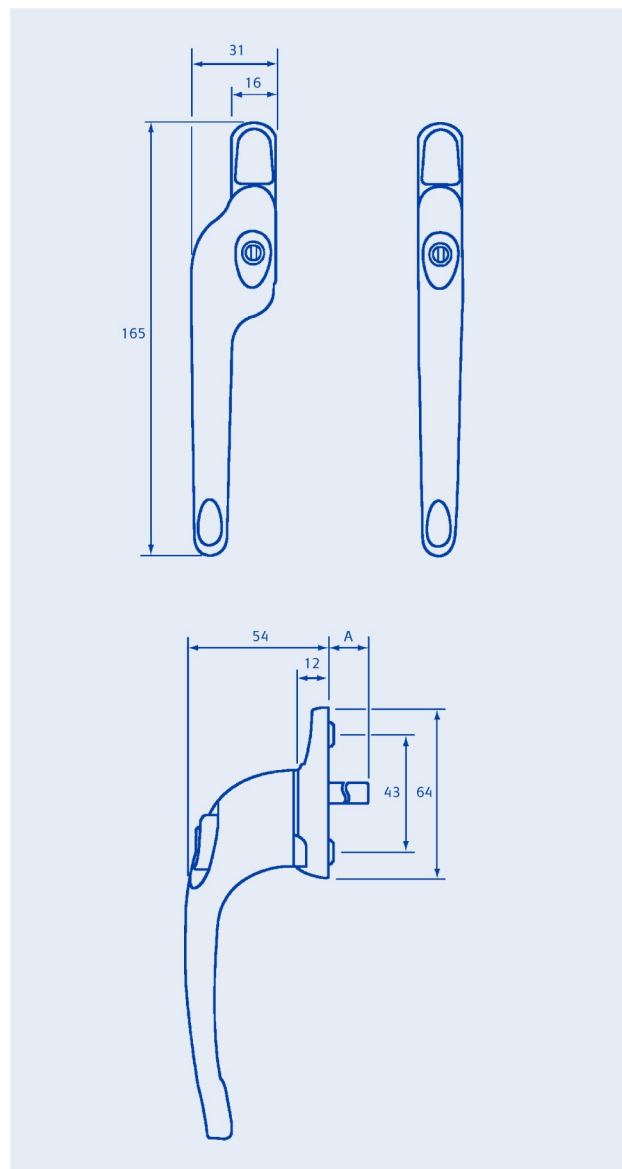
Corrosion resistance:	Meets the Requirements of BS EN 1670:2007 Grade 3
Operation:	Internal Test Procedure D0102

Material Specification

Handle Grip & Back Plate:	Zinc Alloy Castings to BS EN12844:1999 Aluminium Alloy to BS EN 1676:1997
Coatings:	White or Black Powder Paint
	Polished Gold
	Satin Chrome Plate Electroplated to BS EN 12540:2000
	Polished Chrome Plate Electroplated to BS EN 12540:2000
Cylinder:	Zinc Alloy casting and Nickel Plate
Button:	Acetal (POM) (Black)

Product Options

Available in White, Black, Gold and Chrome finishes, In-line and Offset versions with Locking or Non-locking option. See opposite for complete list of product codes.



PTO



ESPAGNOLETTE



OFFSET



IN-LINE

PVCu
WINDOWSTIMBER
WINDOWSASSESSMENT
1905SARACEN
SECURESECURED
BY DESIGN10
YEAR
GUARANTEE

MAXIM 3

Part numbers

Offset	Locking LH	Locking RH	Non-Locking LH	Non-Locking RH
White	WHM3WHXXLLBW	WHM3WHXXRLBW	WHM3WHXXLNBW	WHM3WHXXRNWB
Black	WHM3BKXXLLBB	WHM3BKXXRLBB	WHM3BKXXLNB	WHM3BKXXRNBB
Polished Gold	WHM3MGXXLLBB	WHM3MGXXRLBB	WHM3MGXXLNB	WHM3MGXXRNBB
Polished Chrome	WHM3CHXXLLBB	WHM3CHXXRLBB	WHM3CHXXLNB	WHM3CHXXRNBB
Satin Chrome	WHM3SPXXLLBB	WHM3SPXXRLBB	WHM3SPXXLNB	WHM3SPXXRNBB

In-line	Locking	Non-Locking
White	WHM3WHXXILBW	WHM3WHXXINBW
Black	WHM3BKXXILBB	WHM3BKXXINBB
Polished Gold	WHM3MGXXILBB	WHM3MGXXINBB
Polished Chrome	WHM3CHXXILBB	WHM3CHXXINBB
Satin Chrome	WHM3SPXXILBB	WHM3SPXXINBB

Accessories

Keys

WAKENK5877

Screw Covers

Self adhesive

Gold: WACCPG6030

Silver: WACCSA6030

Push to fit

White: WACCWH6021

Black: WACCBL6021

Spindle Options

9mm, 15mm, 20mm, 25mm, 30mm, 40mm

NB: Add "xx" spindle length to complete code

i.e. Maxim white 15mm, Left hand, Locking: WHM3WH15LLBW

Packing information

25 handles per box.

All handles are packaged individually with keys (where appropriate), screws and screw covers.